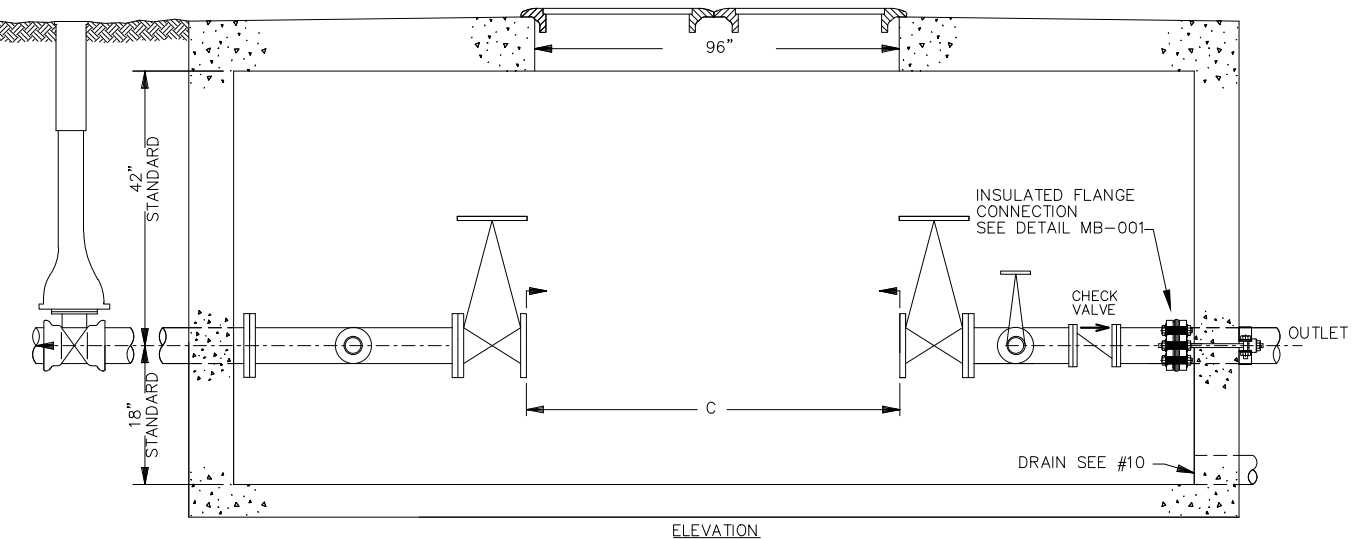
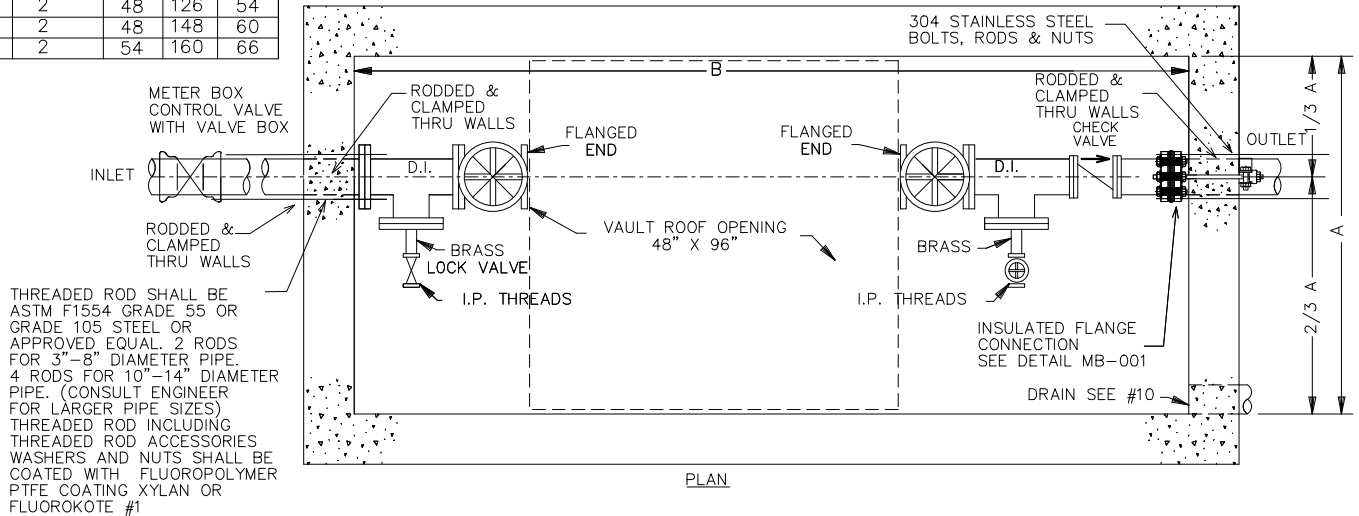


SERVICE IN.	BYPASS MIN-IN	MIN. DIM. IN.		
		A	B	C
3	2	48	126	54
4	2	48	126	54
6	2	48	148	60
8	2	54	160	66



NOTES

1. LENGTH OF BOX "B" SHALL BE DISTANCE "C" PLUS DISTANCE REQUIRED TO INSTALL FITTINGS AS SHOWN
2. VAULT WALLS TO BE OF CONCRETE.
3. VAULT ROOF TO BE OF CONCRETE WITH OPENING CENTERED OVER METER
4. LIDS AND FRAMES OF OPENING TO BE SET IN PLACE, NOT IN CONCRETE
5. LIDS SHALL BE MADE OF ALUMINUM AND SPRING LOADED OPENING SHALL BE 48" x 96" TO ALLOW UNRESTRICTED ACCESS. OPENING TO BE FLUSH WITH OUTLET SIDE VALVE FLANGE.
6. VALVES ON EACH SIDE OF METER MUST HAVE FLANGED ENDS, BE IN ALIGNMENT, AND BE ADEQUATELY SECURED TO WITHSTAND WATER THRUST WITH METER REMOVED.
7. DRAINAGE FACILITIES MUST BE PROVIDED, OR BOX OTHERWISE KEPT FREE OF WATER, NO FRENCH DRAINS ALLOWED UNLESS APPROVED BY AUTHORIZED COMPANY REPRESENTATIVE
8. METER BOX CONTROL VALVE TO BE LOCATED AS NEAR TO BOX AS PRACTICAL.
9. CLASS 52 DI PIPE EXTENDED MIN. 6" FROM OUTLET SIDE OF METER PIT. (ZINC COATED DI AND V-BIO POLYWRAP OPTIONAL IN HIGHLY CORROSIVE SOIL AREAS)
10. DRAIN NEEDS TO BE GRADED TO ALLOW WATER DRAINAGE AWAY AND OUT FROM VAULT
11. CHECK VALVES REQUIRED FOR EACH METER BOX INSTALLATION AND SHALL BE RATED AT 250 PSI AND SHALL HAVE A RESILIENT SEAT.
12. ALL STEEL BOLTS INCLUDING THE NUTS, WASHERS, LUGS, CLAMPS, AND BRACKETS USED FOR BOLT ACCESSORIES SHALL COMFORM TO AWWA C111 STANDARDS AND SHALL BE FACTORY COATED WITH AN APPROVED PTFE FLUOROPOLYMER COATING. THREADED RODS INCLUDING THE NUTS AND STANDARD WASHERS USED FOR THREADED ROD ACCESSORIES SHALL MEET ASTM F1554 GRADE 55 OR GRADE 105 WITH HEAVY HEX DH NUTS AND SHALL BE COATED WITH PTFE FLUOROPOLYMER COATING. APPROVED PTFE FLUOROPOLYMER COATING PRODUCTS INCLUDE FLUOROKOTE #1™, OR XYLANTM™, SERIES 1420, 1421, 1424, OR APPROVED EQUAL. PTFE FLUOROPOLYMER COATINGS SHALL BE BAKED ON OR THERMALLY SET BY THE COATING MANUFACTURER.

A TEMPORARY FLANGED DUCTILE IRON SPOOL PIECE MUST BE INSTALLED IN THE PLACE OF THE METER LOCATION(S), 3" AND LARGER, TO ENSURE PIPE ALIGNMENT. MAWC PERSONNEL WILL REMOVE SPOOL PIECE AT TIME OF METER INSTALLATION AND WILL LEAVE IN METER VAULT FOR CONTRACTOR TO ACQUIRE FOR FUTURE USE.

METER BOX FOR 3"-4"-6" & 8" SERVICES