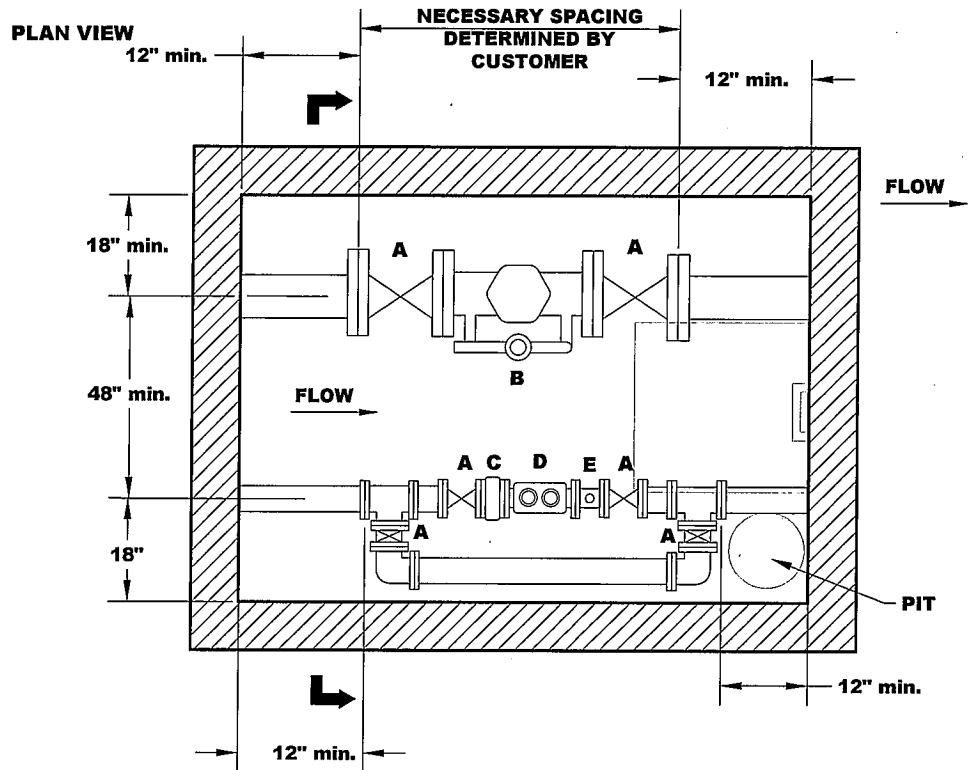
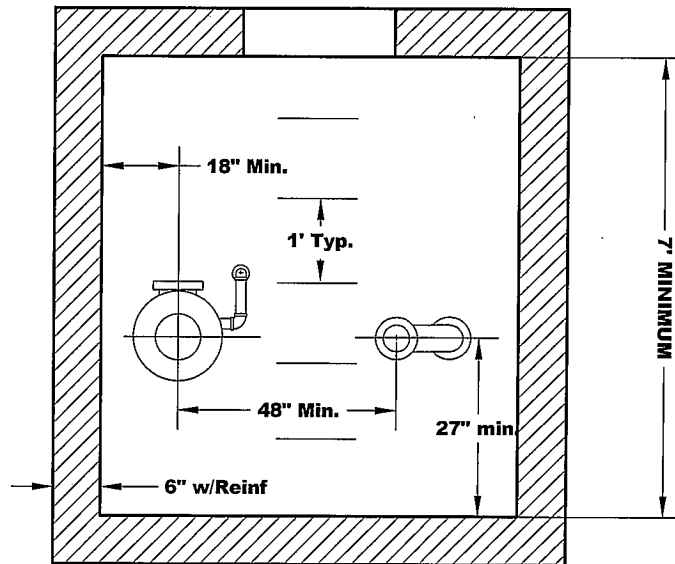


NOTES

1. ACCESS TO VAULT VIA ALUMINUM 36" X 36" BILCO PCM-3 TYPE, FLUSH, WATERTIGHT SIDEWALK DOOR WLADDER-UP SAFETY POST OR EQUIVALENT. PLASTIC ENCASED STEEL OR ALUMINUM LADDER RUNGS CENTERED AT ONE FOOT (1') MUST BE PROVIDED. AREA AROUND VAULT MUST BE COMPLETELY WATERPROOFED. USE SOLID FLANGE & RODDING ON VALVES. ALL VAULT AND PIPING CONSTRUCTION IS SUBJECT TO WATER COMPANY APPROVAL PRIOR TO SERVICE. VAULTS SHOULD NOT BE INSTALLED IN VEHICULAR TRAFFIC AREAS.
2. CUSTOMER MUST ACCOUNT FOR THE INSTALLATION OF A PRESSURE REDUCING VALVE, IF REQUIRED.
3. A BACKFLOW DEVICE IS REQUIRED BY THE NJDEP. THE BACKFLOW DEVICE IS FURNISHED & INSTALLED BY CUSTOMER. THE BACKFLOW DEVICE CANNOT BE INSTALLED INSIDE THE VAULT OR ANY CONFINED SPACE. IT MAY BE INSTALLED IN AN INSULATED ABOVE GROUND ENCLOSURE OR INSIDE THE BUILDING. THE BACKFLOW DEVICE MUST BE PLACED BEFORE THE FIRST CONNECTION.



ELEVATION VIEW



LEGEND

A - VALVES

OS&Y GATE VALVE WITH FLANGED ENDS.
FURNISHED & INSTALLED BY CUSTOMER

B - DETECTOR CHECK VALVE

FURNISHED BY WATER CO
INSTALLED BY CUSTOMER, contact local office
for details.

C - STRAINER

FURNISHED BY WATER CO
TYPICALLY INSTALLED BY WATER CO., contact
local office for details.

D - COMPOUND OR TURBINE METER

FURNISHED BY WATER CO
TYPICALLY INSTALLED BY WATER CO., contact
local office for details.

E - TEST ASSEMBLY

FURNISHED BY CUSTOMER
Contact local office for details.



**NEW JERSEY
AMERICAN WATER**

TYPICAL VAULT DIAGRAM

FIELD SERVICES DEPARTMENT

NOTES

1. A BACKFLOW DEVICE IS REQUIRED BY THE NJDEP. THE BACKFLOW DEVICE IS FURNISHED & INSTALLED BY CUSTOMER. THE BACKFLOW DEVICE MUST BE PLACED BEFORE THE FIRST CONNECTION.
2. CUSTOMER MUST ACCOUNT FOR THE INSTALLATION OF A PRESSURE REDUCING VALVE, IF REQUIRED.

LEGEND

A - VALVES

OS&Y GATE VALVE WITH FLANGED ENDS. FURNISHED & INSTALLED BY CUSTOMER

B - DETECTOR CHECK VALVE

FURNISHED BY WATER CO
INSTALLED BY CUSTOMER, contact local office for details.

C - STRAINER

FURNISHED BY WATER CO
TYPICALLY INSTALLED BY WATER CO., contact local office for details.

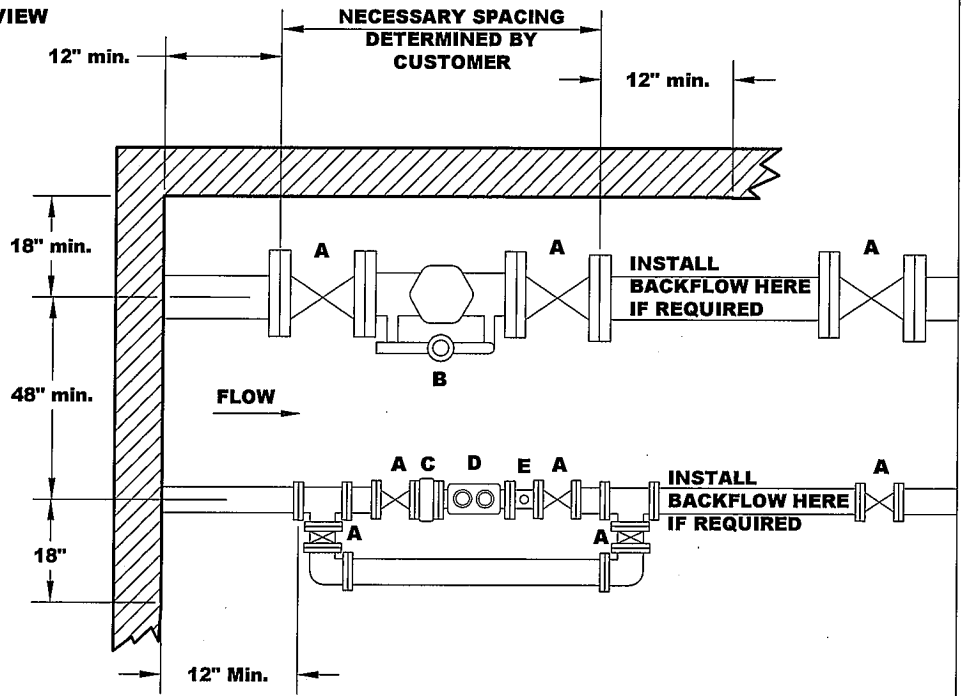
D - COMPOUND OR TURBINE METER

FURNISHED BY WATER CO
TYPICALLY INSTALLED BY WATER CO., contact local office for details.

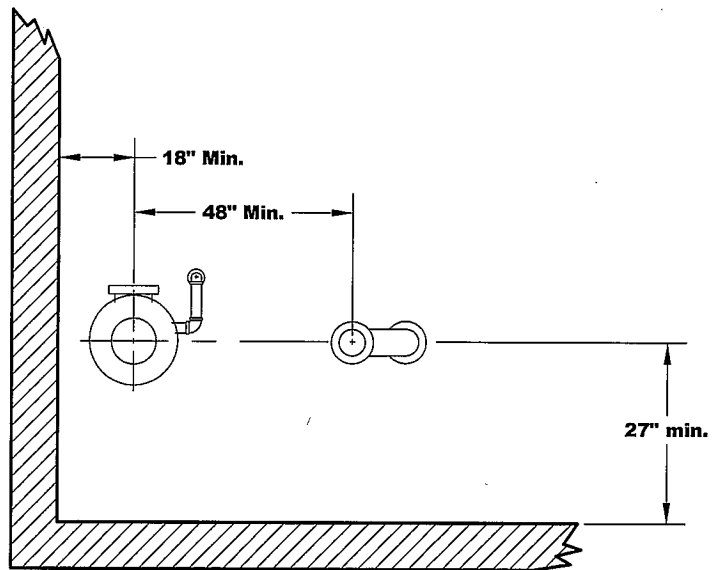
E - TEST ASSEMBLY

FURNISHED BY CUSTOMER
Contact local office for details.

PLAN VIEW



ELEVATION VIEW



**NEW JERSEY
AMERICAN WATER**

TYPICAL INSIDE SET DIAGRAM
FIELD SERVICES DEPARTMENT