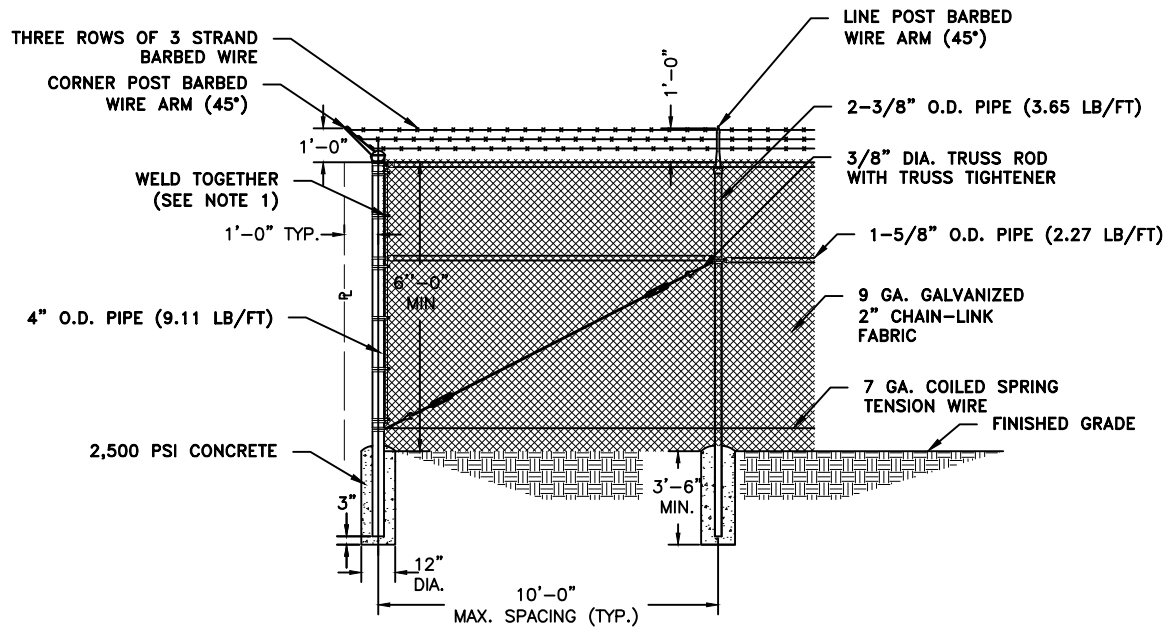


PEDESTRIAN GATE



END POST & CORNER POST

CHAIN-LINK FENCE

NOTES:

1. WELD TOGETHER ALL ASSEMBLY BOLTS TO TENSION BANDS AND TENSION BANDS TO POSTS TO PREVENT DISASSEMBLY.
2. THE FENCE FABRIC SHALL BE WITHIN 2" OF SOLID SURFACE.

REVISIONS
1/12 - MSG EDITS
6/13 - MSG EDITS

AMERICAN WATER MILITARY SERVICES GROUP  
CIVIL  
CHAIN-LINK FENCE DETAIL

AMERICAN WATER MILITARY SERVICES GROUP  
CAMDEN, NJ 08102

AMERICAN WATER M.S.G.  
1 WATER STREET  
CAMDEN, NJ 08102



DRAWN BY PDK  
PROJECT ENG'R PDK  
APPROVED

DATE 12-12-2013  
PROJECT N/A

USE DIMENSIONS ONLY  
SCALE N.T.S.

USE APPROVED DRAWINGS ONLY  
FOR CONSTRUCTION PURPOSES

MSG-ST-06-FL

FINAL

MSG-ST-06-FL