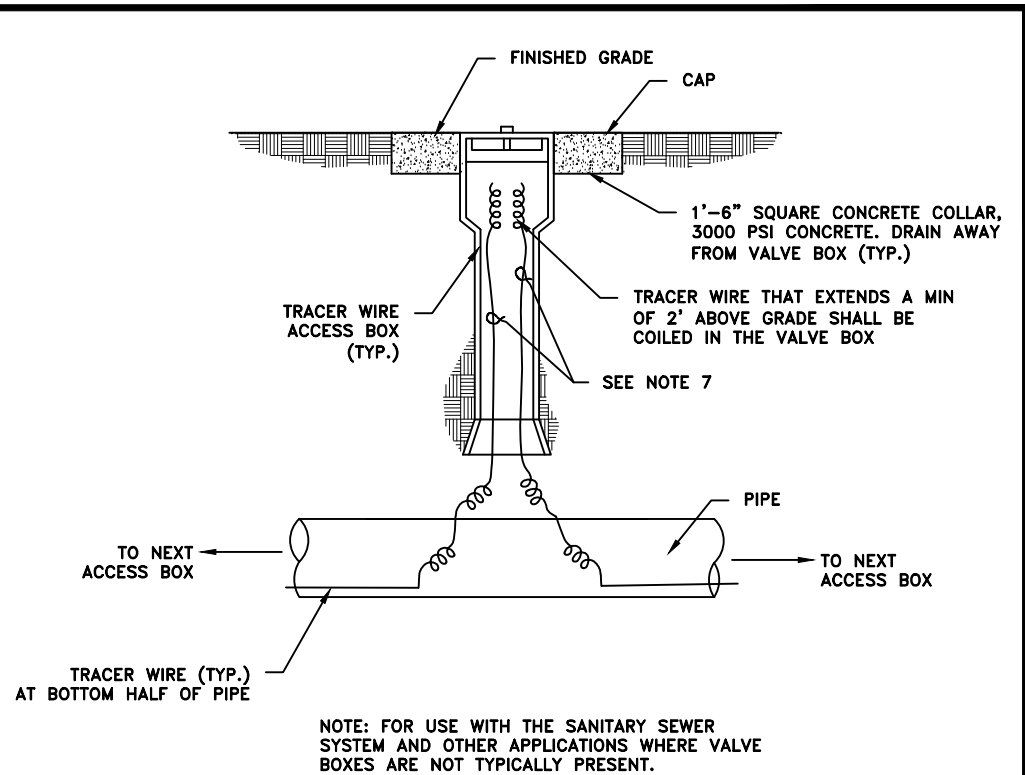


TYPICAL TRACER WIRE VALVE BOX INSTALLATION




TYPICAL TRACER WIRE ACCESS BOX INSTALLATION  
NON VALVE LOCATIONS

## TRACER WIRE INSTALLATION

**NOTES:**

1. TRACER WIRE SHALL BE TIED INTO EVERY VALVE, BLOW-OFF, ARV, AND OTHER DEVICES OR CHANGES IN DIRECTION. PROVIDE ONE TRACER WIRE TEST STATION AT MINIMUM INTERVALS AS PRESCRIBED IN AMERICAN WATER'S DESIGN GUIDE.
2. TRACER LEADS SHALL BE INSTALLED IN APPROVED CURB BOXES OR TRACER WIRE ACCESS BOXES. ACCESS BOX STYLE (LIGHT DUTY, DRIVEWAY, OR ROADWAY) SHALL BE DETERMINED BY BOX LOCATION.
3. CURB BOXES SHALL BE INSTALLED FLUSH WITH GROUND AND LOCATED OVER PIPE LINE TO WHICH TRACER LEAD IS ATTACHED.
4. TRACER LEADS SHALL HAVE ADEQUATE SLACK THROUGHOUT THE INSTALLATION TO REDUCE BREAKAGE FROM PULLING.
5. TRACER WIRE THAT EXTENDS A MIN OF 2' ABOVE GRADE SHALL BE COILED IN THE VALVE BOX AND WIRES SHALL BE PROPERLY CONNECT TO THE VALVE BOX PER MANUFACTURERS SPECIFICATIONS, ALL TRACER WIRES SHALL BE OF #12 TW SOLID COPPER WIRE.
6. EARTH AROUND VALVE BOXES SHALL BE THOROUGHLY COMPACTED AT THE TIME OF INSTALLATION, SUBCONTRACTOR SHALL MAKE ADJUSTMENTS FOR FINAL GRADING, SODDING, PAVING, AND RESTORATION AT THE COMPLETION OF EACH PROJECT. SUBCONTRACTOR SHALL PROTECT THE LEADS, BOXES, AND ALL TRACER WIRES THROUGHOUT THE PROJECT. SUBCONTRACTOR SHALL BE RESPONSIBLE FOR ALL WATER AND WASTEWATER UTILITY LOCATIONS THROUGHOUT THE PROJECT AND UNTIL APPROVED AND ACCEPTED BY AMERICAN WATER.
7. PROVIDE ONE TRACER LEAD IN EACH DIRECTION UNLESS OTHERWISE NOTED.
8. CONTRACTOR SHALL CONFIRM THE REQUIREMENT FOR CONCRETE COLLARS WITH AW PRIOR TO CONSTRUCTION.

REVISIONS		AMERICAN WATER MILITARY SERVICES GROUP CIVIL TRACER WIRE INSTALLATION DETAIL	
1/12	- MSG EDITS	AMERICAN WATER MILITARY SERVICES GROUP CAMDEN, NJ 08102	
6/13	- MSG EDITS		
7/14	- MSG EDITS		
1/16	- MSG EDITS		
7/19	- MSG EDITS		
		AMERICAN WATER M.S.G. 1 WATER STREET CAMDEN, NJ 08102	
		DRAWN BY J. ABRERA PROJECT ENG'R PDK APPROVED	
		USE APPROVED DRAWINGS ONLY FOR CONSTRUCTION PURPOSES	
		MSG-W-05-LB	

FINAL

MSG-W-05