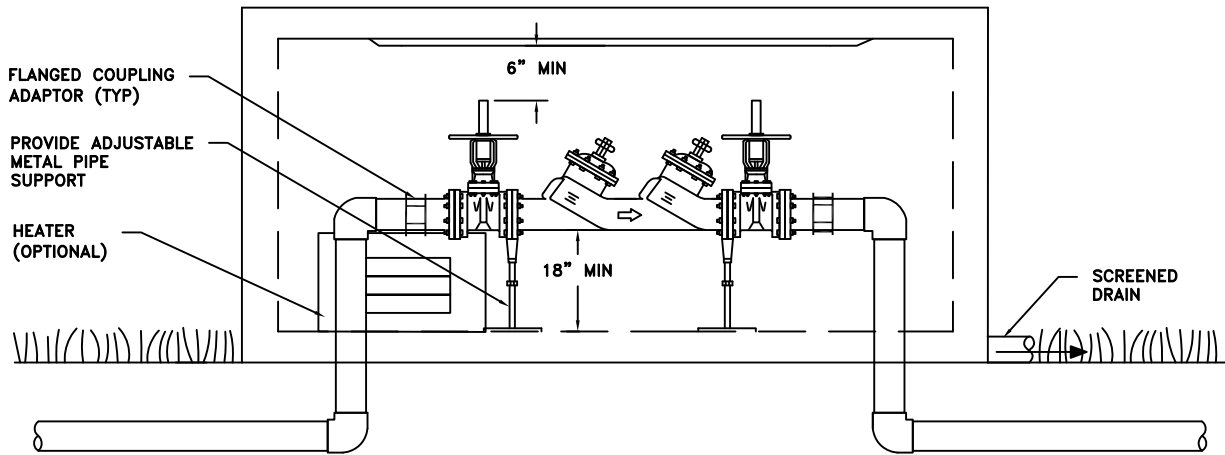


PLAN



ELEVATION

## >2" DOUBLE CHECK VALVE BACKFLOW PREVENTER-EXTERIOR

**NOTES:**

1. LARGE ASSEMBLIES ARE THOSE 2½" AND LARGER.
2. ASSEMBLY SHALL NOT BE SUBJECT TO FLOODING.
3. DCDA's ARE TYPICALLY INSTALLED ABOVE-GRADE.
4. DCDA's SHALL BE INSTALLED ABOVE THE 100 YEAR FLOOD LEVEL, UNLESS OTHERWISE APPROVED BY AW.
5. BRASS OR PLASTIC PLUGS ARE REQUIRED FOR ALL TESTING PORTS.
6. DRAIN PIPE SHALL BE SIZED ACCORDING TO THE MANUFACTURERS FLOW CURVE TO DETERMINE THE MAXIMUM DISCHARGE RATE.
7. ACCESS HATCH SHALL BE ABOVE THE CENTERLINE OF THE ASSEMBLY.
8. PROVIDE HEAT WHEN DIRECTED BY AW PROJECT MANAGER.

REVISIONS	AMERICAN WATER STANDARD CIVIL >2" BACKFLOW PREVENTER-EXTERIOR DOUBLE CHECK VALVE ASSEMBLY (DCVA)
12/13 - MSG EDITS	
01/16 - MSG EDITS	
01/17 - MSG EDITS	
01/18 - MSG EDITS	
	AMERICAN WATER MILITARY SERVICES GROUP CAMDEN, NJ 08102
	AMERICAN WATER M.S.G. 1 WATER STREET CAMDEN, NJ 08102
	<b>AMERICAN WATER.</b>
	DRAWN BY JRQ PROJECT ENG'R PDK APPROVED
	DATE 12-06-11 PROJECT IP
	USE DIMENSIONS ONLY SCALE N.T.S.
	USE APPROVED DRAWINGS ONLY FOR CONSTRUCTION PURPOSES
	<b>MSG-W-18</b>

FINAL

MSG-W-18