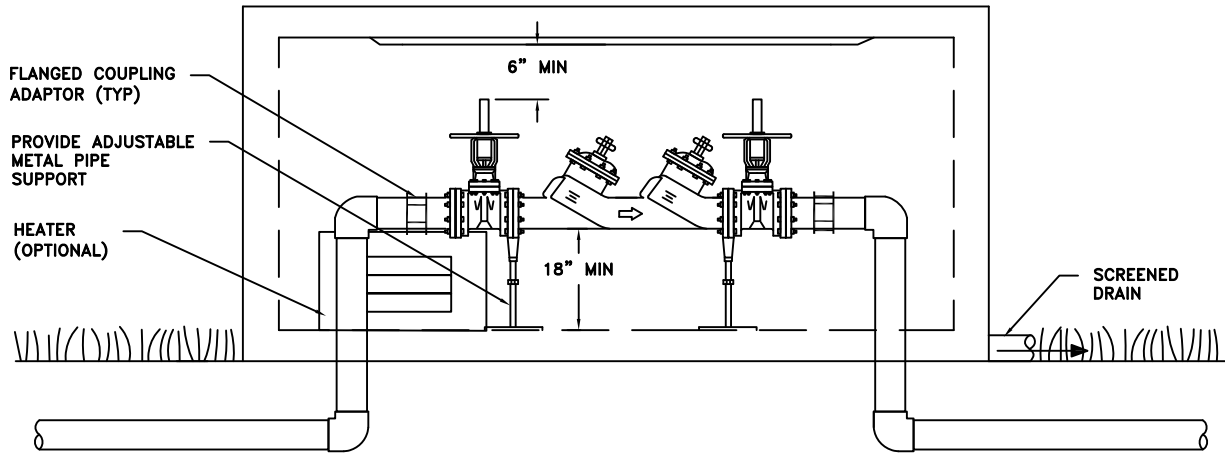


PLAN



ELEVATION

## >2" DOUBLE CHECK VALVE BACKFLOW PREVENTER-EXTERIOR

**NOTES:**

1. LARGE ASSEMBLIES ARE THOSE 2½" AND LARGER.
2. ASSEMBLY SHALL NOT BE SUBJECT TO FLOODING.
3. DCDAs ARE TYPICALLY INSTALLED ABOVE-GRADE.
4. DCDAs SHALL BE INSTALLED ABOVE THE 100 YEAR FLOOD LEVEL, UNLESS OTHERWISE APPROVED BY AW.
5. BRASS OR PLASTIC PLUGS ARE REQUIRED FOR ALL TESTING PORTS.
6. DRAIN PIPE SHALL BE SIZED ACCORDING TO THE MANUFACTURERS FLOW CURVE TO DETERMINE THE MAXIMUM DISCHARGE RATE.
7. ACCESS HATCH SHALL BE ABOVE THE CENTERLINE OF THE ASSEMBLY.
8. PROVIDE HEAT WHEN DIRECTED BY AW PROJECT MANAGER.
9. DCDAS SHALL BE FOR TEMPORARY INSTALLATION ONLY ON NON-HEALTH HAZARDOUS SITUATIONS.

|                   |   |                             |                                     |
|-------------------|---|-----------------------------|-------------------------------------|
| REVISIONS         | AMERICAN WATER STANDARD<br>CIVIL<br><b>&gt;2" BACKFLOW PREVENTER-EXTERIOR<br/>                 DOUBLE CHECK VALVE ASSEMBLY (DCVA)</b> |                             |                                     |
| 12/13 - MSG EDITS |   |                             |                                     |
| 01/16 - MSG EDITS |   |                             |                                     |
| 01/17 - MSG EDITS |   |                             |                                     |
| 01/18 - MSG EDITS |   |                             |                                     |
|                   | AMERICAN WATER MILITARY SERVICES GROUP<br>CAMDEN, NJ 08102  |                             |                                     |
|                   | AMERICAN WATER M.S.G.<br>1 WATER STREET<br>CAMDEN, NJ 08102   | <b>AMERICAN WATER.</b>      |                                     |
|                   | DRAWN BY JRQ<br>PROJECT ENG'R PDK<br>APPROVED   | DATE 12-06-11<br>PROJECT IP | USE DIMENSIONS ONLY<br>SCALE N.T.S. |
|                   | USE APPROVED DRAWINGS ONLY<br>FOR CONSTRUCTION PURPOSES   | <b>MSG-W-18-FH</b>          |                                     |

FINAL

MSG-W-18