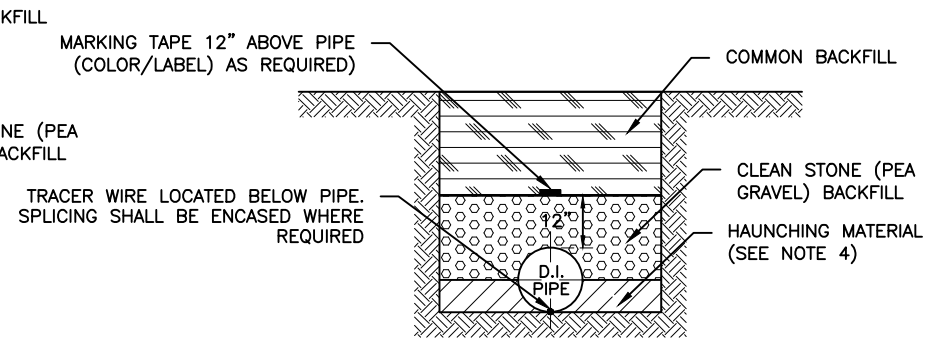
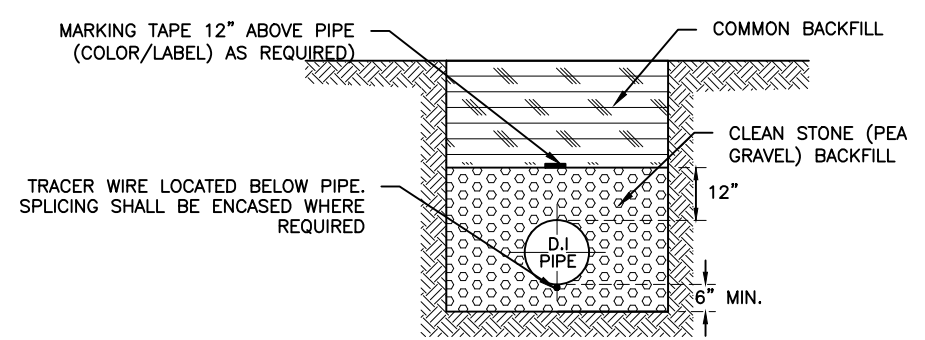


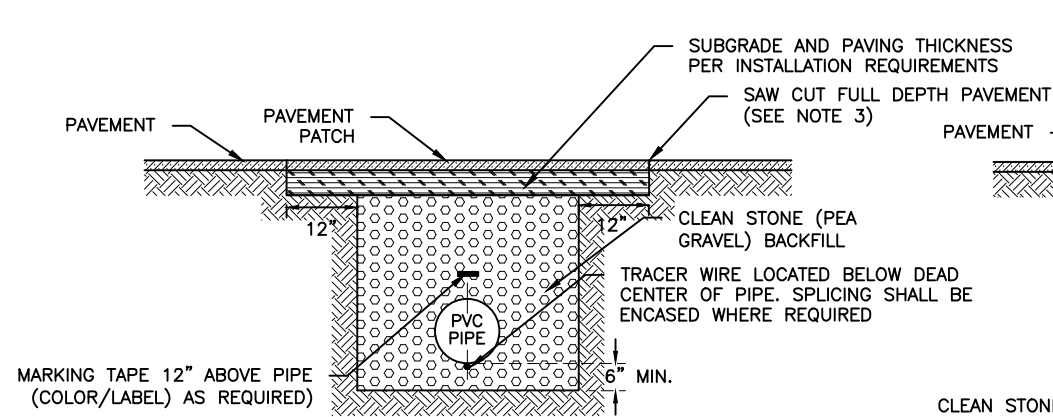
DETAIL "A"
PVC - ROCK/SOIL
 FOR AREAS NOT TO BE PAVED



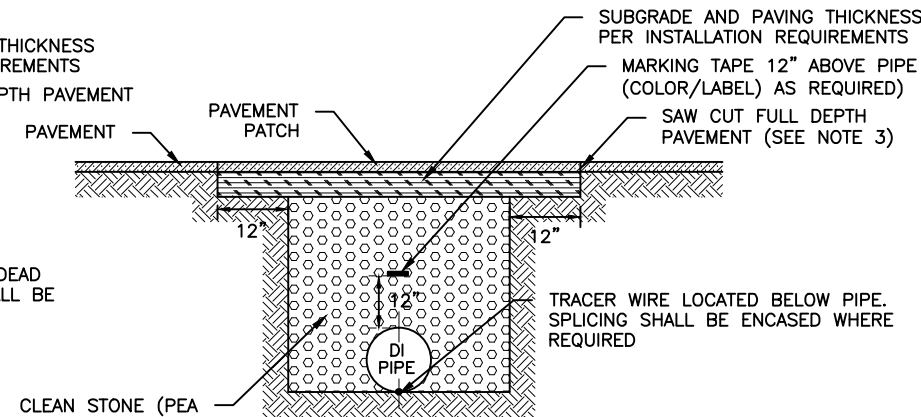
DETAIL "C"
D.I. - SOIL
 FOR AREAS NOT TO BE PAVED



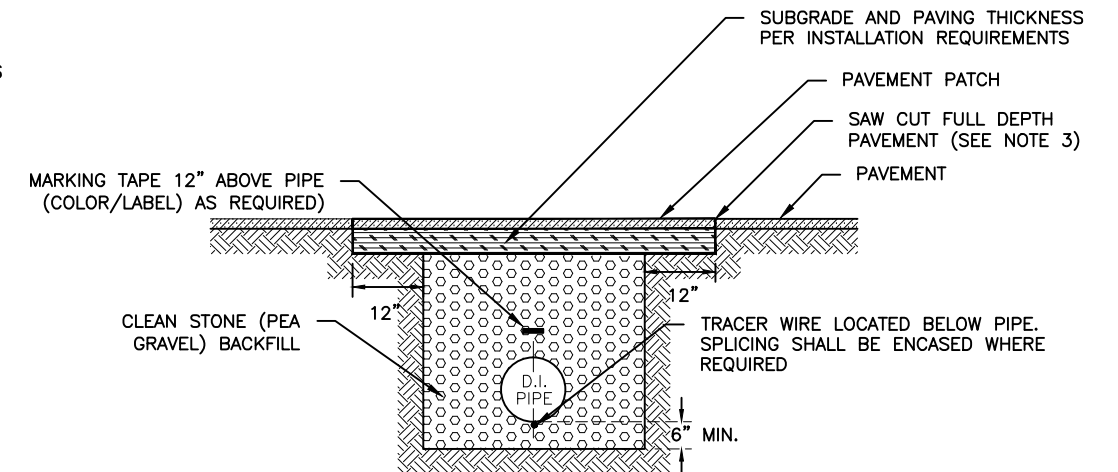
DETAIL "E"
D.I. - ROCK
 FOR AREAS NOT TO BE PAVED



DETAIL "B"
PVC - ROCK/SOIL
 FOR PAVED AREAS OR AREAS TO BE PAVED OR WITHIN 18" OF PAVING



DETAIL "D"
D.I. - SOIL
 FOR PAVED AREAS OR AREAS TO BE PAVED OR WITHIN 18" OF PAVING



DETAIL "F"
D.I. - ROCK
 FOR PAVED AREAS OR AREAS TO BE PAVED OR WITHIN 18" OF PAVING

GENERAL NOTE:

1. CAUTION MUST BE EXERCISED TO ENSURE PROPER PLACEMENT OF EMBEDMENT MATERIAL UNDER THE HAUNCHES OF THE PIPE.
2. POLYETHYLENE ENCASING ON ALL D.I. PIPE, FITTINGS, VALVES & APPURTENANCES.
3. IF EDGE OF SAW CUT IS <= 4LF FROM CURB LINE, REMOVE PAVEMENT TO CURB.
4. STONE BACKFILL TO BE MECHANICALLY COMPACTED IN 6"-12" LIFTS.
5. REFER SPECIFICATION SECTIONS FOR DESCRIPTION OF BACKFILL AND BEDDING MATERIAL.
6. TYPICAL TRENCH WIDTH SHALL BE PIPE O.D.+2'.

REVISIONS 7/12 - MSG EDITS 12/13 - MSG EDITS 1/16 - MSG EDITS	AMERICAN WATER MILITARY SERVICES GROUP CIVIL TRENCH RESTORATION DETAIL
AMERICAN WATER MILITARY SERVICES GROUP CAMDEN, NJ 08102	
AMERICAN WATER M.S.G. 1 WATER STREET CAMDEN, NJ 08102	
DRAWN BY PDK PROJECT ENG'R PDK APPROVED	DATE 05-17-2010 PROJECT N/A USE DIMENSIONS ONLY SCALE N.T.S.
USE APPROVED DRAWINGS ONLY FOR CONSTRUCTION PURPOSES	
MSG-ST-02	