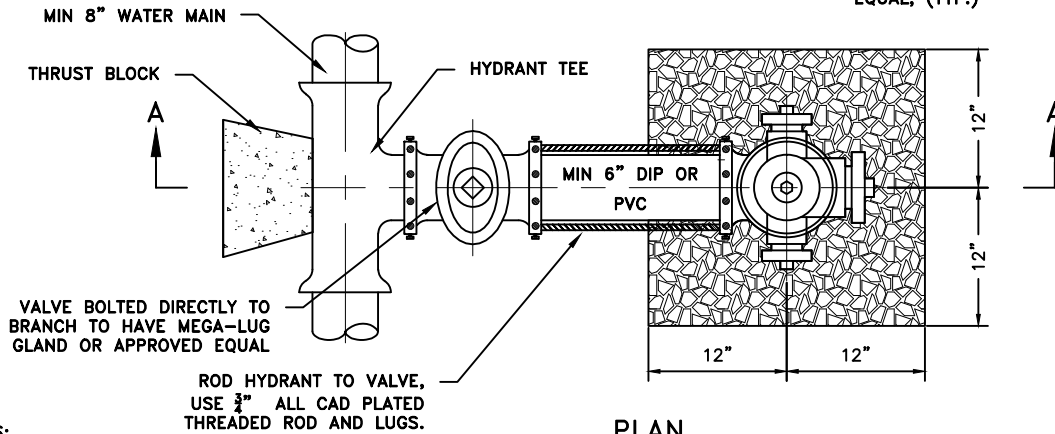


SECTION A-A




PLAN

FIRE HYDRANT

NOTES:

1. ALL HYDRANTS SHALL STAND PLUMB AND SHALL HAVE THE PUMPER NOZZLE FACING THE CURB.
2. HYDRANT BONNETS SHALL BE PAINTED TO INDICATE AVAILABLE FIRE FLOW IN ACCORDANCE WITH AMERICAN WATER SPECIFICATIONS.
3. IF HYDRANT LATERAL IS NOT RESTRAINED, CONTRACTOR SHALL PROVIDE A THRUST BLOCK BEHIND HYDRANT SHOE.
4. RESTRAIN ALL JOINTS ON HYDRANT TEE, HYDRANT VALVE, AND HYDRANT LEAD.
5. AMERICAN WATER RESERVES THE RIGHT TO WAIVE STRICT COMPLIANCE WITH THIS DETAIL IN THE EVENT THAT FIELD CONDITIONS OR O&M WORK REQUIRE A WAIVER.

REVISIONS

AMERICAN WATER MILITARY SERVICES GROUP CIVIL FIRE HYDRANT DETAIL	
AMERICAN WATER MILITARY SERVICES GROUP CAMDEN, NJ 08102	
AMERICAN WATER M.S.G. 1 WATER STREET CAMDEN, NJ 08102	
DRAWN BY Z. ALAM PROJECT ENG'R PDK APPROVED	DATE 05-03-2010 PROJECT N/A USE DIMENSIONS ONLY SCALE N.T.S.
USE APPROVED DRAWINGS ONLY FOR CONSTRUCTION PURPOSES	MSG-W-07-HAFB

FINAL

MSG-W-07-HAFB