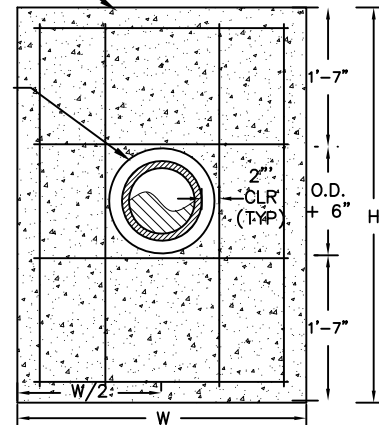
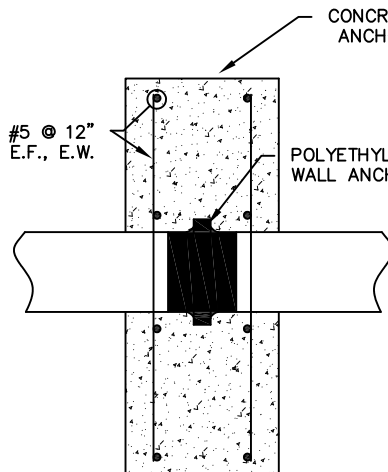
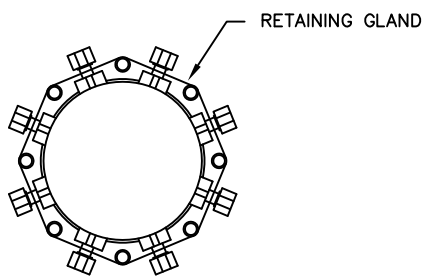


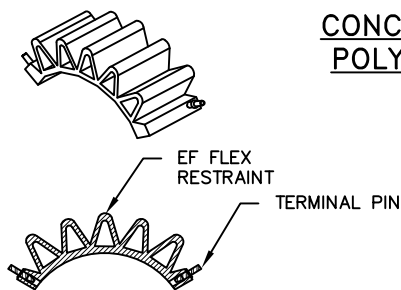
**MJ ADAPTER
HDPE TO PLAIN END PVC**



**CONCRETE ANCHOR WITH
POLYETHYLENE ANCHOR**

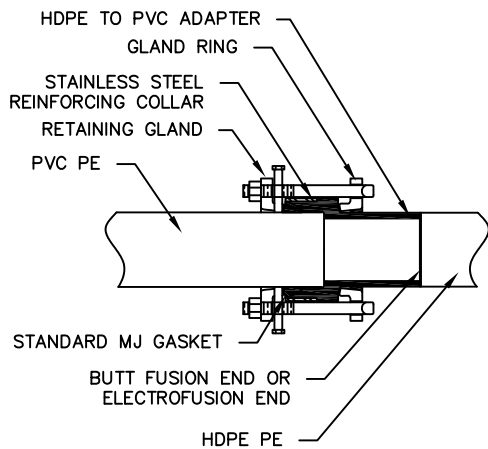


**RETAINING GLANDS
FOR PVC PIPES**

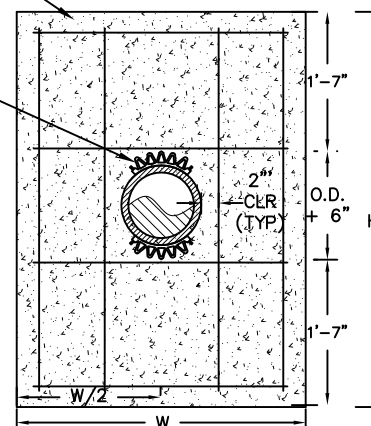
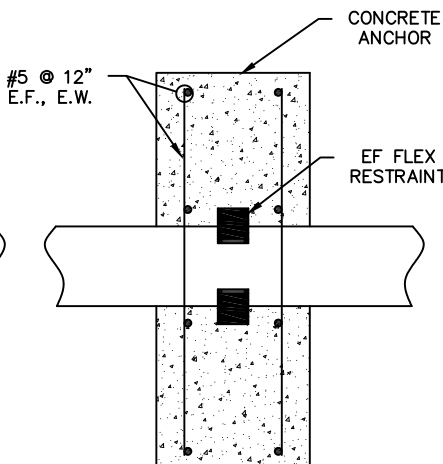


**FE FLEX
RESTRAINT**

CONCRETE ANCHOR TABLE			
PIPE SIZE	W	H	T
8"	4'-9"	4'-4"	12"
10"	6'-9"	4'-6"	12"
12"	9'-2"	4'-8"	12"



**MJ ADAPTER
HDPE TO PLAIN END PIPE**



**CONCRETE ANCHOR WITH FE
FLEX RESTRAINT DEVICE**

HDPE CONNECTION RESTRAINTS

REVISIONS	AMERICAN WATER MILITARY SERVICES GROUP CIVIL HDPE CONNECTION RESTRAINT DETAIL 2	
	AMERICAN WATER MILITARY SERVICES GROUP CAMDEN, NJ 08102	
	AMERICAN WATER M.S.G. 1 WATER STREET CAMDEN, NJ 08102	AMERICAN WATER.
	DRAWN BY PDK PROJECT ENG'R PDK APPROVED	DATE 12-18-2013 PROJECT N/A USE DIMENSIONS ONLY SCALE N.T.S.
	USE APPROVED DRAWINGS ONLY FOR CONSTRUCTION PURPOSES	MSG-W-25B

FINAL

MSG-W-25B