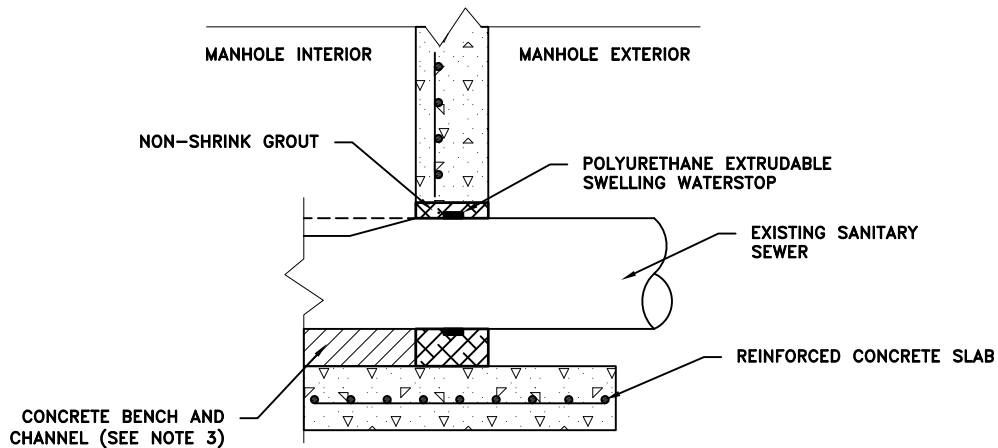


PLAN



SECTION A-A

DOGHOUSE MANHOLE

NOTES:

1. SEE PRECAST STANDARD MANHOLE DETAIL FOR TYPICAL INSTALLATION.
2. PRECAST MANHOLE SECTIONS TO BE IN ACCORDANCE WITH ASTM DESIGNATION C478.
3. SOLID CONCRETE BENCH AND CHANNEL TO BE CONSTRUCTED BY CONTRACTOR.
4. EXTERIOR COATING NOT REQUIRED IN TEXAS..

REVISIONS
1/12 - MSG EDITS
6/13 - MSG EDITS

AMERICAN WATER MILITARY SERVICES GROUP
CIVIL
DOGHOUSE MANHOLE
DETAIL

AMERICAN WATER MILITARY SERVICES GROUP
CAMDEN, NJ 08102

AMERICAN WATER M.S.G.
1 WATER STREET
CAMDEN, NJ 08102



DRAWN BY Z. ALAM
PROJECT ENG'R PDK
APPROVED

DATE 04-30-2010
PROJECT N/A

USE DIMENSIONS ONLY
SCALE N.T.S.

USE APPROVED DRAWINGS ONLY
FOR CONSTRUCTION PURPOSES

MSG-WW-11

FINAL

MSG-WW-11