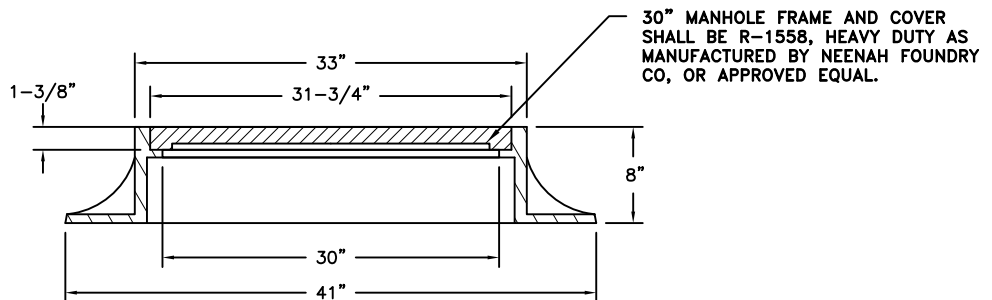


24" MANHOLE FRAME AND COVER




30" MANHOLE FRAME AND COVER

## MANHOLE FRAME AND COVER DETAIL

**NOTE:**

24" MANHOLE OPENING IS NOT PERMITTED IN TEXAS.

	REVISIONS	AMERICAN WATER MILITARY SERVICES GROUP CIVIL MANHOLE FRAME AND COVER DETAIL	
		AMERICAN WATER MILITARY SERVICES GROUP CAMDEN, NJ 08102	
		AMERICAN WATER M.S.G. 1 WATER STREET CAMDEN, NJ 08102	 <b>AMERICAN WATER</b>
		DRAWN BY Z. ALAM PROJECT ENG'R PDK APPROVED	DATE 04-30-2010 PROJECT N/A
		USE APPROVED DRAWINGS ONLY FOR CONSTRUCTION PURPOSES	<b>MSG-WW-14</b>