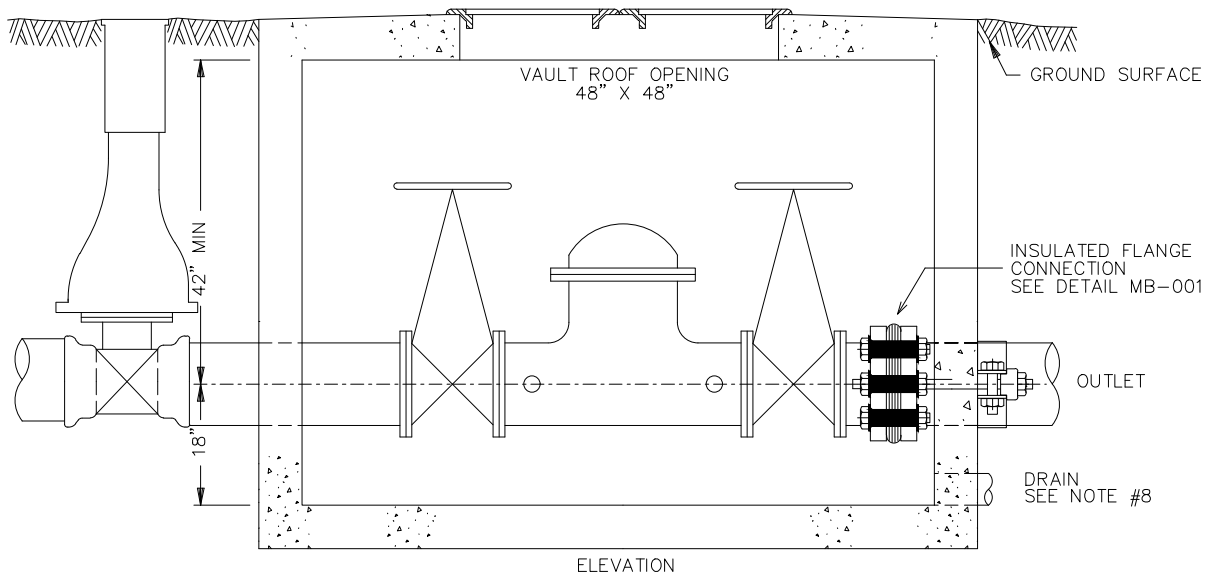
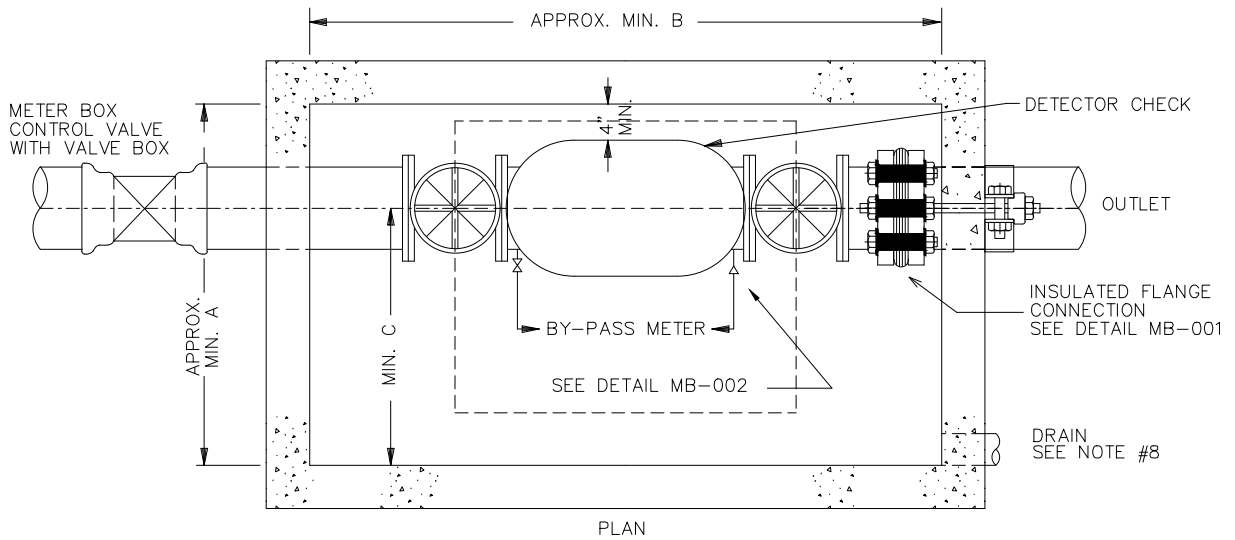




**MISSOURI
AMERICAN WATER**

FILE NO. _____
 INDEX NO. _____
 ISSUED DATE 08-2020
 AMENDED DATE _____



PIPE SIZE IN.	MIN. A	DIM. - IN.	
		B	C
10	54	72	30

1. WALLS AND ROOF TO BE OF CONCRETE.
2. FRAMES OF OPENING TO BE SET IN PLACE, NOT IN CONCRETE.
3. DRAINAGE FACILITIES MUST BE PROVIDED, OR BOX OTHERWISE KEPT FREE OF WATER.
NO FRENCH DRAINS ALLOWED UNLESS APPROVED BY AUTHORIZED COMPANY REPRESENTATIVE.
4. CLASS 52 DI PIPE EXTENDED MIN. 6' FROM OUTLET SIDE METER PIT. (ZINC COATED DI AND V-BIO POLYWRAP OPTIONAL IN HIGHLY CORROSIVE SOIL AREAS)
5. ANY DEVIATION FROM PIPE DEPTH SHOWN MUST BE APPROVED BY AUTHORIZED COMPANY REPRESENTATIVE PRIOR TO CONSTRUCTION.
6. BOX TO BE SET WITH TOP OF BOX AT FINISHED GRADE WITH NO EXTENSION ALLOWED.
7. LIDS SHALL BE MADE OF ALUMINUM AND SPRING LOADED. OPENING SHALL BE 48"x48" TO ALLOW UNRESTRICTED ACCESS. OPENING TO BE FLUSH WITH OUTLET SIDE VALVE FLANGE.
8. DRAIN NEEDS TO BE GRADED TO ALLOW WATER DRAINAGE AWAY AND OUT FROM VAULT.

DRG. #DCV-10>FS
 SUBJECT TO REVISION WITHOUT NOTICE 08-08-2020

DETECTOR CHECK FOR 10" & LARGER FIRE SERVICES

PRINT AND READ DISCLAIMER
 WITH ALL MAWC DRAWINGS

CAD /DISTRIB/DETAILS/METERBOX/METERBOX_20200821.DWG