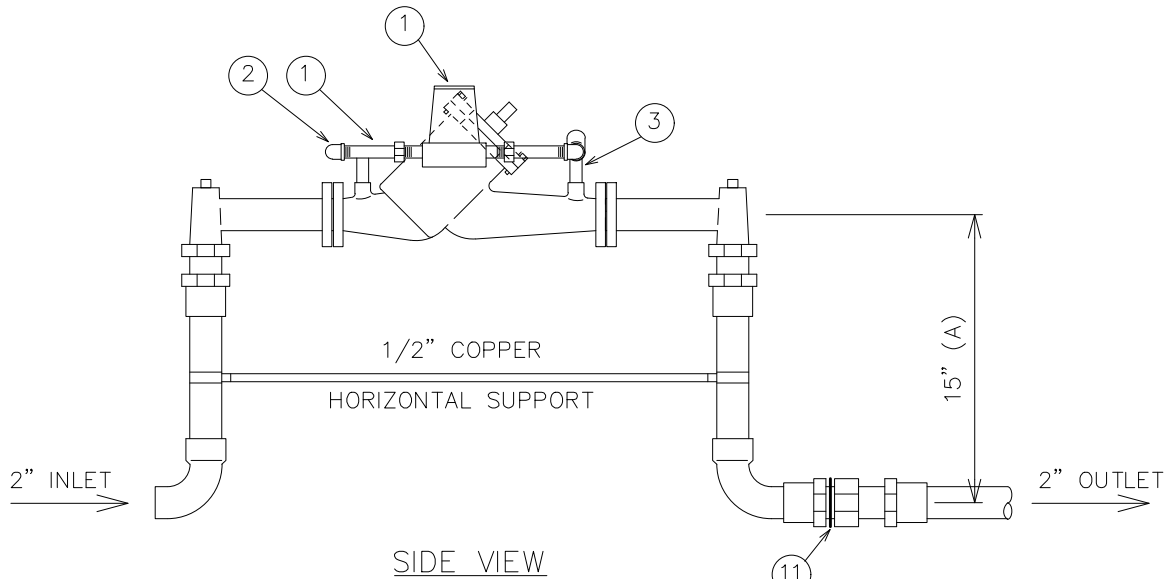


- ① = 3/4" - METER AND TWO COUPLINGS & ADAPTOR NIPPLES (1-SET REQ.)
- ② = 3/4" - 90 BRASS ELS (3 - REQ.)
- ③ = 3/4" X 1 1/2" BRASS NIPPLES (2 - REQ.)
- ④ = 3/4" - 90 BRASS STREET ELS (3 - REQ.)
- (C) ⑤ = 3/4" - BRASS DNR APPROVED DOUBLE CHECK VALVE SPRING LOADED (1 - REQ.)
- (D) ⑥ = 3/4" - BRASS BALL LOCKING (2 - REQ.)
- ⑧ = 3/4" X 5 BRASS NIPPLES (2 - REQ.)
- ⑨ = 3/4" - CLOSE BRASS NIPPLES (2 - REQ.)



- NOTES:
- (A) IF THIS DIMENSION CHANGES, ADJUST PIPING AND PROVIDE APPROPRIATE BRASS FITTINGS AND NIPPLES TO ACCOMMODATE METER WITH COUPLINGS. AS SHOWN.
  - (B) THE SIZE OF THE BRASS BUSHINGS 7 MAY CHANGE DUE TO THE VARIATION IN SIZE OF THE DETECTOR CHECK ASSEMBLY AND THE SIZE OF THE TAPPED OUTLETS.
  - (C) IF BY-PASS PIPING INSTALLED AROUND A SINGLE CHECK VALVE ASSEMBLY. THEN ITEM 5 MAY BE A SINGLE CHECK VALVE.
  - (D) FORD MODEL B11-233W (LOCK IN OPEN POSITION) OR EQUIVALENT.

**MB-003**

BY-PASS METER PIPING  
 FOR 2" DETECTOR CHECK ASSEMBLY

SUBJECT TO REVISION WITHOUT NOTICE 08-08-2020